

Draka UC Connectivity

Draka Cat6a Screened 1U/19" 24Port Flat Modular Keystone Panel

Part Number – YPPBP03336



Overview

- Plastic Free Eco-Packaging – Pack of 1
- Supplied with Cage nuts/Screws & Nylon ties
- Metal Cable Management Support Bar
- Earth/Grounding cable included
- Fast fit rear cable management
- For use with Cat6a STP Jack YMJB03208

Product Description

Draka Screened Modular Patch Panels are designed for use with Draka Cat6a STP keystone jacks. Each panel is supplied with a rear metal cable management support bar to provide a solid and strong support to relieve cable stresses. The panel has screen printed port numbers with write on description labels for port identification, protected by a transparent cover for fast and easy labeling on site. The modular panel features a nickel-plated plate to provide grounding continuity between connectors and panel. For standards compliance to BS EN 50310 and BS EN 50174-1, the panel is provided with an earth grounding cable pre-connected, to enable quick bonding/grounding within your telecommunications rack/enclosure.

Product Specification

Suitable for number of outlets / modules	24
Category	Cat6A
Number of rack units	1U
Panel material	SPCC
Colour	Black
Mounting type	19inch mounting

© PRYSMIAN GROUP 2020, All Rights Reserved

All sizes and values without tolerances are reference values. Specifications are for product as supplied by Prysmian: any modification or alteration afterwards of product may give different result.

The information contained within this document must not be copied, reprinted or reproduced in any form, either wholly or in part, without the written consent of Prysmian. The information is believed to be correct at the time of issue. Prysmian reserves the right to amend this specification without prior notice. This specification is not contractually valid unless specifically authorised by Prysmian.

Height	44.45mm
Width	482.6mm
Depth	124.85mm with Management bar installed

Standards Complied

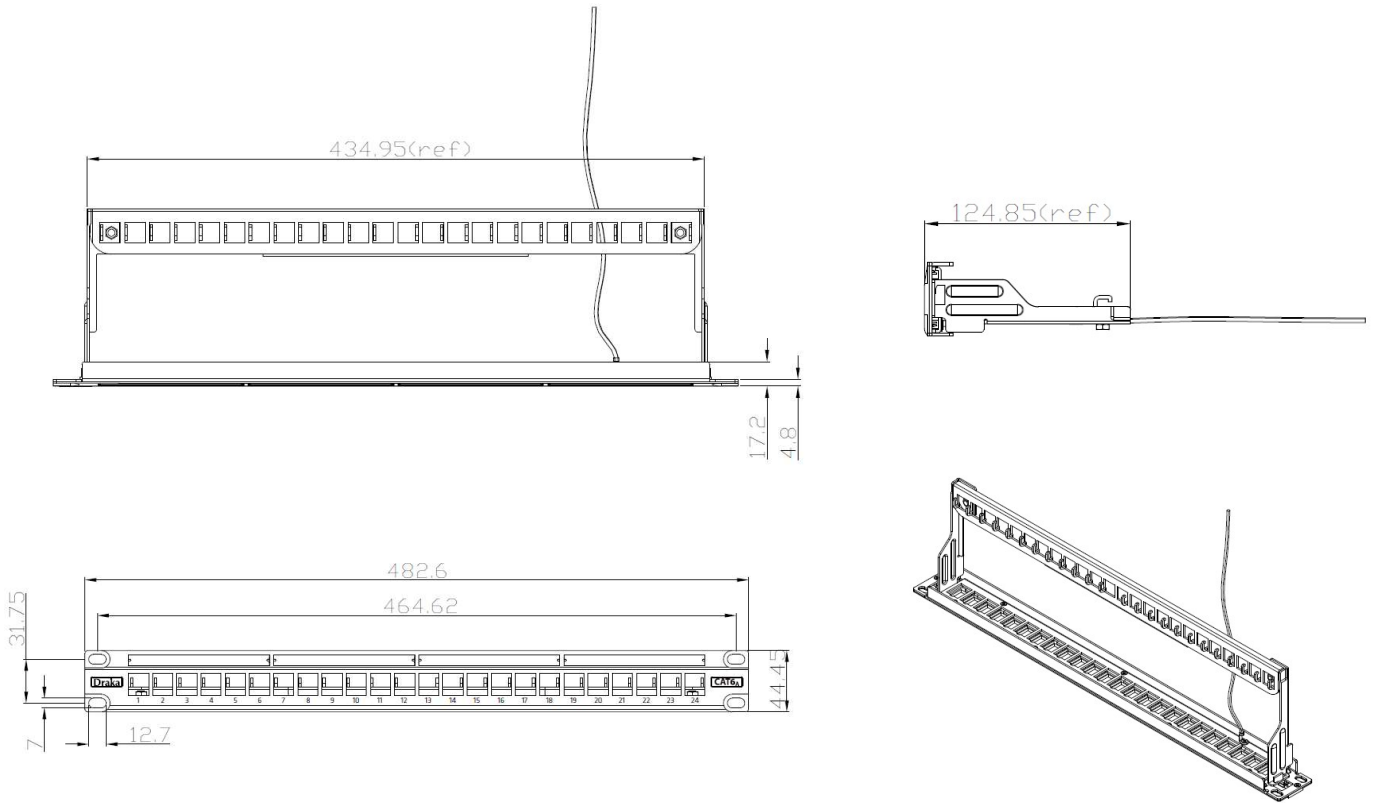
ANSI/EIA-310-D	Electronic Industries Association standard for horizontal spacing, vertical hole spacing, rack opening and front panel width
IEC 60297-3-100	Mechanical structures for electronic equipment - Dimensions of mechanical structures of the 482,6 mm (19 in) series - Part 3-100: Basic dimensions of front panels, subracks, chassis, racks and cabinets
BS EN 50310:2016	Telecommunications bonding networks for buildings and other structures
IEC 60603-7	Connectors for electronic equipment - Part 7: Detail specification for 8-way, unshielded, free and fixed connectors
RoHS	Restriction of Hazardous Substances Directive 2011/65/EU & 2015/863/EU
REACH	Regulation (EC) No 1907/2006 - Registration, Evaluation, Authorisation and Restriction of Chemicals EC1907/2006

© PRYSMIAN GROUP 2020, All Rights Reserved

All sizes and values without tolerances are reference values. Specifications are for product as supplied by Prysmian: any modification or alteration afterwards of product may give different result.

The information contained within this document must not be copied, reprinted or reproduced in any form, either wholly or in part, without the written consent of Prysmian. The information is believed to be correct at the time of issue. Prysmian reserves the right to amend this specification without prior notice. This specification is not contractually valid unless specifically authorised by Prysmian.

Product Drawings



© PRYSMIAN GROUP 2020, All Rights Reserved

All sizes and values without tolerances are reference values. Specifications are for product as supplied by Prysmian: any modification or alteration afterwards of product may give different result.

The information contained within this document must not be copied, reprinted or reproduced in any form, either wholly or in part, without the written consent of Prysmian. The information is believed to be correct at the time of issue. Prysmian reserves the right to amend this specification without prior notice. This specification is not contractually valid unless specifically authorised by Prysmian.