

Draka UC Connectivity

Draka Quarter Blank – For Euro Faceplates 12.5mm x 50mm – Black Part Number - YBIBP03604



Overview

- Plastic Free Eco-Packaging – Pack of 50
- Quarter blank for Euro wall Faceplates or Floor boxes
- Available in half width size 25mm x 50mm
- Black

Product Description

Draka Quarter Blanks fit the standard 25mm x 50mm Euro type openings on wall faceplates and floor boxes, used for blanking the openings in wall faceplates and floor boxes when not in use.

Draka Quarter Blanks are available in the Euro 25mm x 50mm size only. Blanking plates are available in half/quarter sizes for Euro 25mm x 50mm and half blank size for LJ6C 25mm x 38mm to configure single or triple outlets.

Product Specification

Blank Insert Material	Plastic ABS, UL94HB
Temperature Range	-10°C to 60°C
Colour	Black RAL 9005
Fastening	Engage (snap)
Surface	Flat
Width	12.5mm
Height	50mm

© PRYSMIAN GROUP 2020, All Rights Reserved

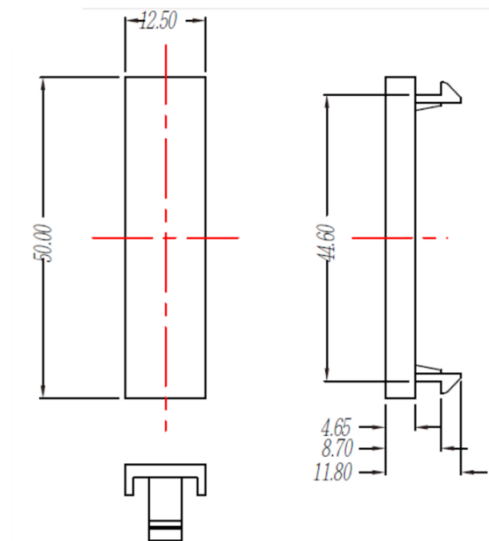
All sizes and values without tolerances are reference values. Specifications are for product as supplied by Prysmian: any modification or alteration afterwards of product may give different result.

The information contained within this document must not be copied, reprinted or reproduced in any form, either wholly or in part, without the written consent of Prysmian. The information is believed to be correct at the time of issue. Prysmian reserves the right to amend this specification without prior notice. This specification is not contractually valid unless specifically authorised by Prysmian.

Standards Complied

BSEN 60670-1:2005 + A1:2013	Boxes and enclosures for electrical accessories for household and similar fixed electrical installations general requirements
BSEN 61340-5-1:2007	Protection of electronic devices from electrostatic phenomena. General requirements apply to activities that: manufacture, process, assemble, install, package, label, service, test, inspect, transport or otherwise handle electrical or electronic parts, assemblies and equipment susceptible to damage by electrostatic discharges greater than or equal to 100 V human body model (HBM).
RoHS	Restriction of Hazardous Substances Directive 2011/65/EU & 2015/863/EU
REACH	Regulation (EC) No 1907/2006 - Registration, Evaluation, Authorisation and Restriction of Chemicals EC1907/2006

Product Drawing



© PRYSMIAN GROUP 2020, All Rights Reserved

All sizes and values without tolerances are reference values. Specifications are for product as supplied by Prysmian: any modification or alteration afterwards of product may give different result.

The information contained within this document must not be copied, reprinted or reproduced in any form, either wholly or in part, without the written consent of Prysmian. The information is believed to be correct at the time of issue. Prysmian reserves the right to amend this specification without prior notice. This specification is not contractually valid unless specifically authorised by Prysmian.