



# Instrumentation Cables

EN 50288-7

## Cu/XLPE/IS or OS or IS+OS/LSZH/LS/LSZH/SWA/LSZH 300 V and 500 V

Instrumentation cables with Chemical Barrier. Multi-core (pairs, triads - twisted). Screened. Armoured. Flame retardant. Design option with insect repellent/rodent protection; Arctic Grade design option: all available on demand.

### APPLICATION

Instrumentation cables are used to transmit digital or analogue signals for measurement or process control applications in fixed installation on onshore platforms. Prysmian offers a wide range of Instrumentation cables with diverse design options depending on the reference standards and customer requirements. On demand Prysmian can offer also instrumentation thermocouples cables.

### STANDARDS & APPROVALS

- EN 50288-7** Design guidelines
- EN 50290-2 Series** Insulation and sheathing materials
- IEC 60332-1-2** Flame retardant
- IEC 60332-3-24 or 22** Fire retardant

on request

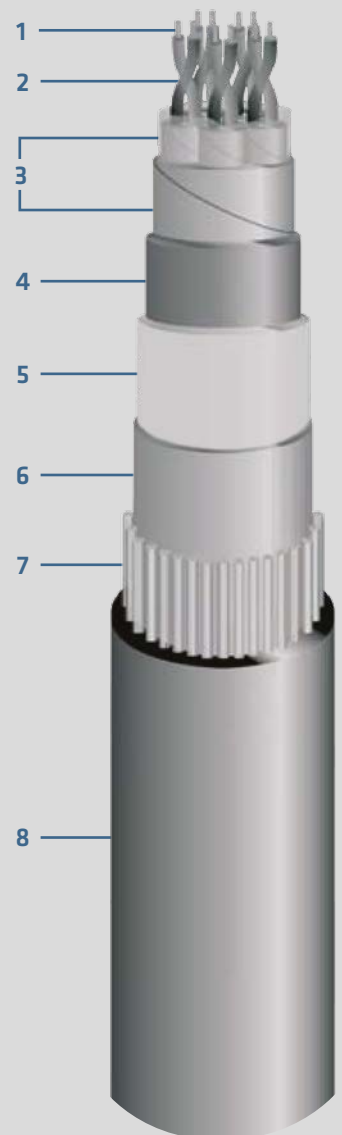
- IEC-60754-1 / ...-2** Halogen free properties
- IEC-61034-1 / 2** Smoke emission properties

on request

- CSA 22.2 n. 38/95 or IEC 60811**

### DESIGN & CONSTRUCTION

- 1 CONDUCTOR**  
**Cu**  
Annealed copper wires according to cl. 2. Solid cl. 1 conductors (U) or Flexible cl. 5 conductors (F) available on demand. Tinned copper conductors (available on demand) from 0,5 to 2,5 mm<sup>2</sup> up to 50 pairs, up to 24 triples
- 2 INSULATION**  
**XLPE**  
PE/PVC/HFFR available on demand
- 3 SCREEN**  
**IS/OS/IS+OS**  
Individual (IS)/Overall (OS)/ Individual+Overall (IS+OS)  
Aluminium/polyester tape in electrical contact with tinned annealed drain wire
- 4 INNER COVERING**  
**PVC or LSZH**
- 5 CHEMICAL BARRIER**  
**LS**  
Lead alloy E  
DRYLAM® (multilayer sheath) instead of Lead sheath available on demand
- 6 SEPARATION SHEATH**  
**PVC or LSZH**
- 7 ARMOURING**  
**SWA**  
Galvanized steel wire (SWA)  
Galvanized steel braid (GSWB) or double steel tape (DSTA) available on demand
- 8 OUTER SHEATH**  
**PVC or LSZH**  
Hydrocarbon resistant option available on demand





Oil & Gas - Cable Solutions

Pipelines & LNG - Onshore

# Instrumentation Cables

EN 50288-7

## PERFORMANCES/RATINGS

FIRE  
BEHAVIOUR



IEC 60332-1-2  
IEC 60332-3-22 or IEC 60332-3-24

CHEMICAL  
RESISTANCE



EXCELLENT

IMPACTS



GOOD  
EXCELLENT (armoured only)

SMOKE DENSITY,  
CORROSIVITY  
AND TOXICITY



LOW EMISSION  
(only LSZH version)

MIN.  
INSTALLATION  
TEMPERATURE



-5 °C (PVC)  
-15 °C (LSZH)  
(-40°C for Arctic Grade)

MAX  
OPERATING  
TEMPERATURE



+90 °C (XLPE)  
+70 °C (PE/PVC/HFFR)

SHORT  
CIRCUIT  
TEMPERATURE



+250 °C (XLPE)  
+160 °C (PE/PVC)

LEAD



Lead Free  
(only Drylam™ option)

## QUALITY & TESTING

Prysmian has a built-in multi-step quality assurance program, covering the production process from cable design and raw material purchases to final inspection and testing documentation.

The ISO 9001 quality system of Prysmian Group (together with ISO 14001 and OHSAS 18001) has been assessed, approved and is currently audited by SGS.

This product information sheet is provided for reference only.

Please consult the factory or your representative to confirm all engineering information or refer to the related catalogues available in the local countries website.

CONTACT INFO:  
[prysmianoilandgas@prysmiangroup.com](mailto:prysmianoilandgas@prysmiangroup.com)  
[www.prysmiangroup.com/contact-us](http://www.prysmiangroup.com/contact-us)

**Prysmian**  
Group